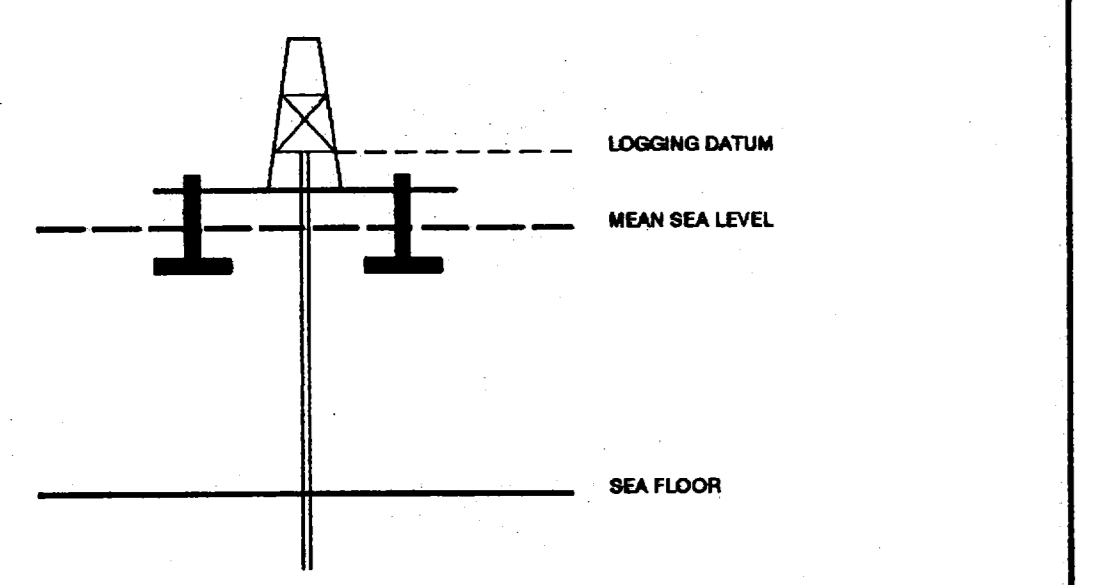


MELBOURNE LOG INTERPRETATION CENTRE

ZERO OFFSET VSP PLOT 1
STACKED DATA

Company: BHP PETROLEUM PTY. LTD.
Well: CHAMPION-1
Field: WILDCAT
Country: AUSTRALIA
Reference No: SYJ-561142/561143 Interval: 1845.00 to 1220.00
Date Logged: 15 AUG. 1995 Date Processed: 17 AUG 1995
Location: 038 32' 33.054" S 142 23' 18.066" E
Elevations: KB: 25.30 DF: 25.00 GL: -54.00
Permanent Datum: MSL Depth Units: METRES
FIELD RECORDING: Engineer: R.JONHSON Location: Program Version: 700-427
COMPUTATION: Analyst: S.TCHERKASHNEV Centre: SYJ Baseline: 28.5

ELEVATION ABOVE MEAN SEA LEVEL
Logging Datum: 25.30
Seismic Reference Datum: 0.00



Total Number of Levels: 45
Depth Reference: SRD
Time Reference: SRD

Run	Date	Tool Type	Bit Size/Depth	Casing Size/Depth	Top Depth	Bottom Depth
1	15-07-95	DLL	12.25 IN	13.3 IN/1216 M	1219 M	1806 M

VSP Run	Date	Gun Offset	Hydro Offset	Gun Elevation	Hydro Elevation	Gun Azimuth	Hydro Azimuth
1	15-07-95	45 M	45 M	5 M BELOW MSL	10 M BELOW MSL	90 DEG	90 DEG

REMARKS

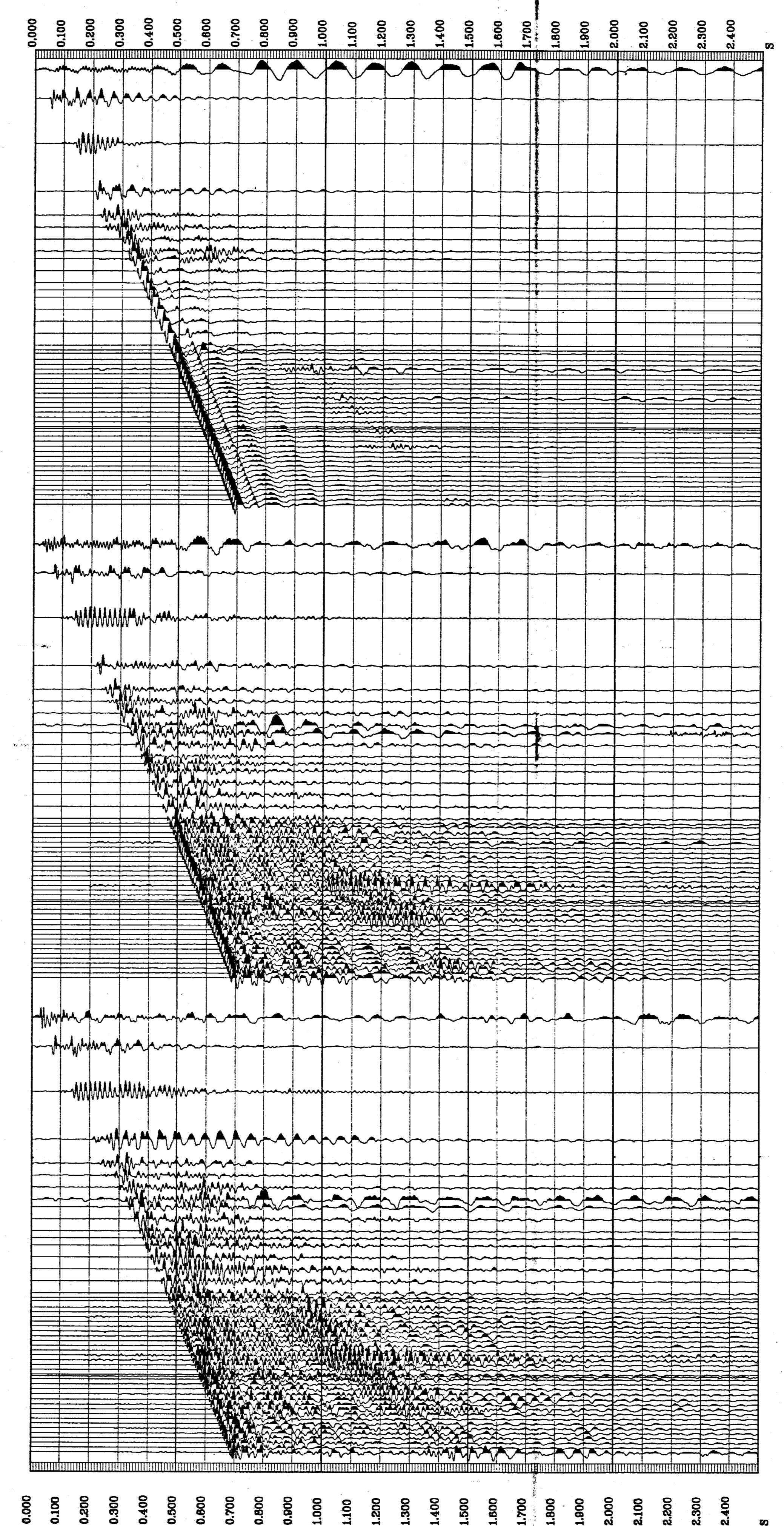
The well name, depth and bottom reference data were furnished by the customer. All interpretations are opinions based on information available at the time of logging and processing. Schlumberger is not responsible for any loss, damage or expense incurred or sustained by anyone resulting from any interpretations made by any of our officials, agents or employees. These interpretations are also subject to Clause 4 of our General Terms and Conditions as set out in our current Price Schedule.

**** MEDIAN STACK ****
(DOWNHOLE DATA)
MEDIAN COHERENCY STACK OF THE DOWNHOLE VERTICAL COMPONENT.
PROCESSING SEQUENCE:
MEDIAN STACK APPLIED
BANDPASS FILTER : 4 - 120 HZ
VERTICAL SCALE : 10 CM/SEC
POLARITY (S.E.G.) : REVERSE
TIMES REFERENCED TO HYDROPHONE

**** MEDIAN STACK ****
(DOWNHOLE DATA)
MEDIAN COHERENCY STACK OF THE DOWNHOLE 2. HORIZONTAL COMPONENT.
PROCESSING SEQUENCE:
MEDIAN STACK APPLIED
BANDPASS FILTER : 4 - 120 HZ
VERTICAL SCALE : 10 CM/SEC
POLARITY (S.E.G.) : REVERSE
TIMES REFERENCED TO HYDROPHONE

**** MEDIAN STACK ****
(DOWNHOLE DATA)
MEDIAN COHERENCY STACK OF THE DOWNHOLE 1. HORIZONTAL COMPONENT.
PROCESSING SEQUENCE:
MEDIAN STACK APPLIED
BANDPASS FILTER : 4 - 120 HZ
VERTICAL SCALE : 10 CM/SEC
POLARITY (S.E.G.) : REVERSE
TIMES REFERENCED TO HYDROPHONE

RAW DEPTH M	TRANSIT TIME S	LEVEL NO	MAX AMPLITUDE	MIN AMPLITUDE
30.0	0.000	52	21854.898	-23676.023
100.0	0.086	61	10066.650	-10669.970
338.0	0.153	50	8415.407	-4121.843
538.0	0.230	49	4436.538	-3800.983
638.0	0.289	48	2909.837	-2810.354
668.0	0.288	47	2827.256	-2807.216
738.0	0.306	46	2287.725	-1455.783
788.0	0.325	45	885.524	-803.838
808.0	0.328	44	1198.201	-808.878
878.0	0.356	43	1278.870	-1002.225
928.0	0.374	42	1803.705	-1271.428
958.0	0.385	41	1418.768	-1236.470
998.0	0.399	40	1271.000	-1125.024
1038.0	0.414	39	1108.747	-1053.984
1068.0	0.432	38	1192.833	-1023.094
1138.0	0.450	37	918.203	-857.491
1168.0	0.467	36	1033.287	-773.797
1213.0	0.478	34	847.219	-688.212
1268.0	0.484	32	848.079	-711.241
1308.0	0.508	30	951.284	-735.181
1348.0	0.519	28	979.715	-738.045
1388.0	0.533	26	1030.888	-778.721
1428.0	0.548	24	811.548	-628.828
1468.0	0.560	22	911.992	-655.898
1508.0	0.573	20	954.527	-652.084
1548.0	0.583	18	984.748	-611.154
1588.0	0.593	16	541.217	-508.980
1628.0	0.608	14	798.449	-515.308
1668.0	0.622	11	909.897	-475.007
1688.0	0.628	9	903.019	-460.238
1728.0	0.649	7	338.897	-331.854
1768.0	0.662	5	281.286	-328.892
1808.0	0.674	3	435.489	-371.854
1845.0	0.687	1	448.900	-388.808
30.0	0.000	52	6883.807	-7878.880
158.0	0.085	61	6088.230	-7038.885
338.0	0.153	50	1007.542	-880.850
538.0	0.230	48	470.164	-284.185
638.0	0.289	48	351.710	-281.622
668.0	0.288	47	373.570	-315.337
738.0	0.306	46	142.003	-171.869
788.0	0.325	45	138.418	-123.985
808.0	0.328	44	123.853	-109.582
878.0	0.356	43	145.764	-149.518
928.0	0.374	42	141.790	-148.017
958.0	0.385	41	95.125	-120.188
998.0	0.399	40	88.424	-128.854
1038.0	0.414	39	81.380	-75.278
1068.0	0.432	38	81.985	-84.848
1138.0	0.450	37	82.792	-61.244
1168.0	0.467	36	86.490	-64.568
1213.0	0.478	34	47.288	-48.808
1268.0	0.484	32	81.441	-63.871
1308.0	0.508	30	88.812	-68.265
1348.0	0.519	28	44.152	-42.560
1388.0	0.533	26	89.898	-50.298
1428.0	0.548	24	53.178	-37.108
1468.0	0.560	22	173.793	-106.247
1508.0	0.573	20	72.310	-50.025
1548.0	0.583	18	45.687	-48.808
1588.0	0.593	16	38.384	-25.844
1628.0	0.608	14	89.033	-84.497
1668.0	0.622	11	69.828	-41.623
1688.0	0.628	9	57.248	-30.281
1728.0	0.649	7	22.778	-18.162
1768.0	0.662	5	33.380	-17.111
1808.0	0.674	3	25.788	-32.762
1845.0	0.687	1	21.548	-12.016
30.0	0.000	52	7777.287	-8362.203
160.0	0.085	61	11488.097	-11121.752
338.0	0.153	50	1528.404	-980.802
538.0	0.230	48	971.810	-581.245
638.0	0.289	48	254.704	-177.208
668.0	0.288	47	282.883	-256.208
738.0	0.306	46	288.939	-180.873
788.0	0.325	45	191.005	-98.868
808.0	0.328	44	238.985	-105.713
878.0	0.356	43	141.883	-170.189
928.0	0.374	42	118.908	-78.184
958.0	0.385	41	125.107	-82.188
998.0	0.399	40	82.866	-82.774
1038.0	0.414	39	73.494	-82.053
1068.0	0.432	38	52.438	-61.203
1138.0	0.450	37	47.814	-58.385
1168.0	0.467	36	58.622	-62.847
1213.0	0.478	34	48.882	-48.572
1268.0	0.484	32	33.878	-53.063
1308.0	0.508	30	31.470	-48.353
1348.0	0.519	28	41.373	-54.880
1388.0	0.533	26	41.302	-41.778
1428.0	0.548	24	40.860	-50.088
1468.0	0.560	22	165.125	-101.289
1508.0	0.573	20	53.997	-71.091
1548.0	0.583	18	39.171	-50.504
1588.0	0.593	16	80.081	-72.642
1628.0	0.608	14	87.020	-57.315
1668.0	0.622	11	18.298	-27.814
1688.0	0.628	9	36.886	-31.850
1728.0	0.649	7	34.842	-34.438
1768.0	0.662	5	28.893	-27.051
1808.0	0.674	3	27.083	-32.435
1845.0	0.687	1	28.388	-32.194



COMPANY BHP PETROLEUM PTY. LTD.
FIELD WILDCAT
WELL CHAMPION-1
COUNTRY AUSTRALIA

Schlumberger