

SEISMIC CALIBRATION LOG

(Adjusted Continuous Velocity Log)

Company: BEACH PETROLEUM N.L. DEPT. NAT. RES. & ENV
PE601049

Well: SQUATTER - 1

Field: WILDCAT

Country: AUSTRALIA

Reference No: 570810 Interval: 0.00 to 1492.00

Date Logged: 06/08/87 Date Processed: 14/08/87

Location: 037 52' 26.0" S 141 08' 09.0" E

Elevations: KB: 61.7 F DF: 61.4 F GL: 57.1 F

Permanent Datum: MSL Depth Units: METRES

FIELD RECORDING: Engineer: J. PATEL Location: VEA Program Version: 28.4

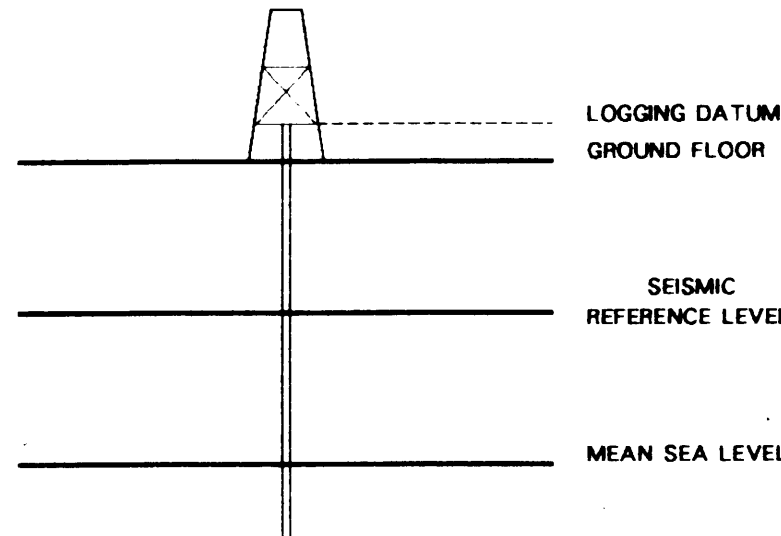
COMPUTATION: Analyst: M. SANDERS Centre: SYJ Baseline: 14.19X4

ELEVATION ABOVE MEAN SEA LEVEL

Logging Datum: 61.7 M

Seismic Reference Datum: MSL

Ground Level: 57.1 M



Total Number of Levels: 20 (62 to 1492 Metres below KB)

Depth Reference: SRD

Time Reference: SRD

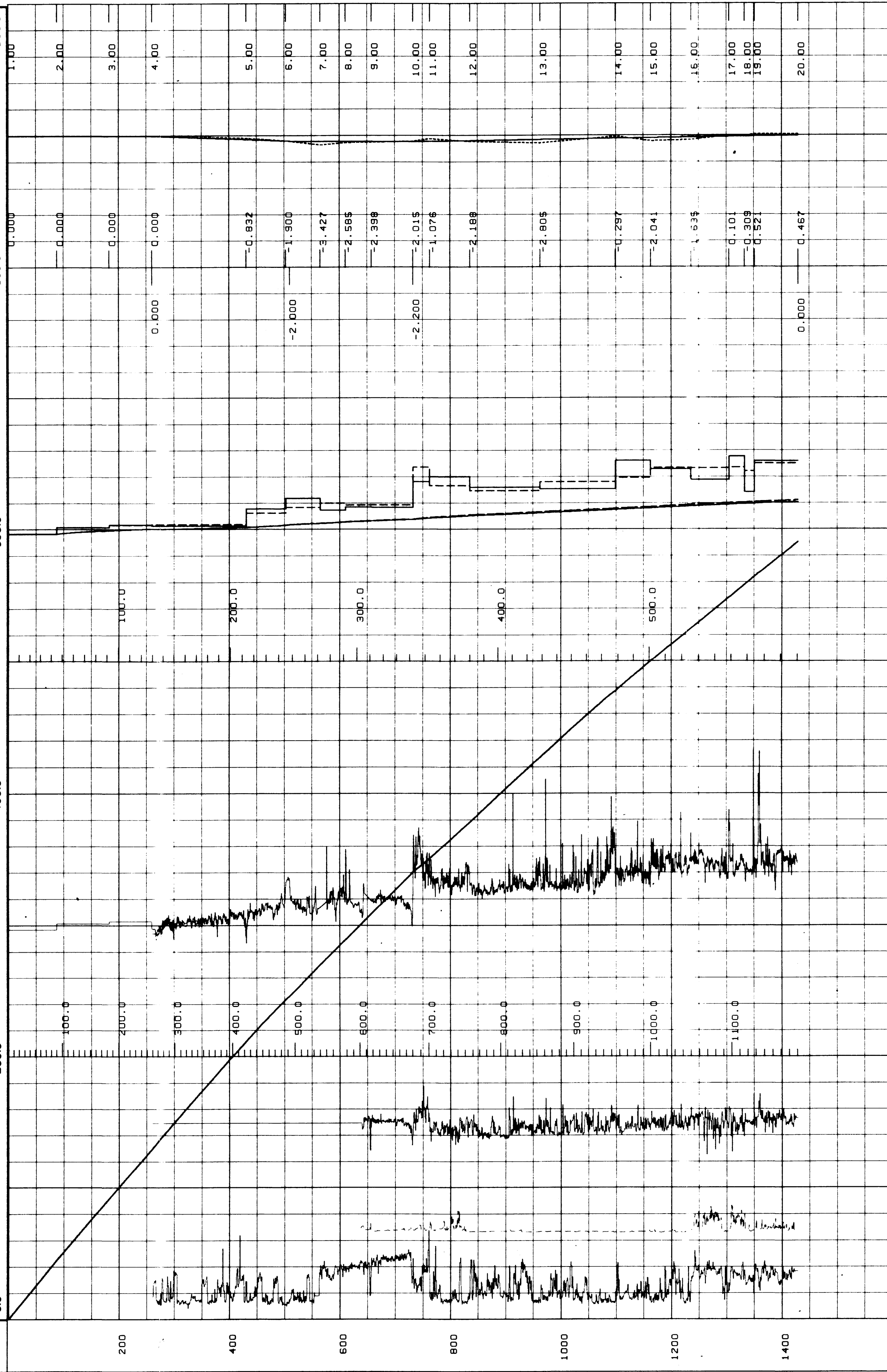
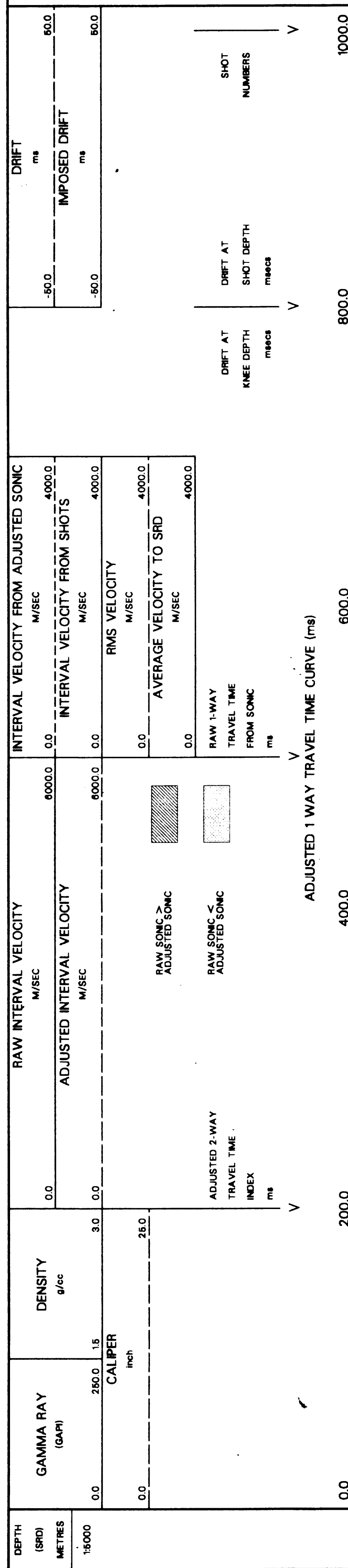
Run	Date	Tool Type	Bit Size/Depth	Casing Size/Depth	Top Depth	Bottom Depth
1	06-08-87	BHC	8 1/2" @ 1492 M	9 5/8" @ 323 M	323	1492

VSP Run	Date	Gun Offset	Hydro Offset	Gun Elevation	Hydrophone Elevation	Gun Azimuth	Hydro. Azimuth
1	07-08-87	31 M		1.5 M below GL	1.0 M below GL	180 °	180 °

REMARKS

The well name, location and borehole reference data were furnished by the customer.

All interpretations are opinions based on information from electrical or other measurements and logs, and do not guarantee the accuracy or completeness of any interpretations and we will not be liable for any loss, costs, damages or expenses incurred or sustained by anyone resulting from any interpretations made by any of our officers, agents or employees. These interpretations are also subject to Clause 4 of our General Terms and Conditions as set out in our current Price Schedule.



COMPANY BEACH PETROLEUM N.L.
 FIELD WILDCAT
 WELL SQUATTER - 1
 COUNTRY AUSTRALIA