

Schlumberger

MELBOURNE LOG INTERPRETATION CENTRE

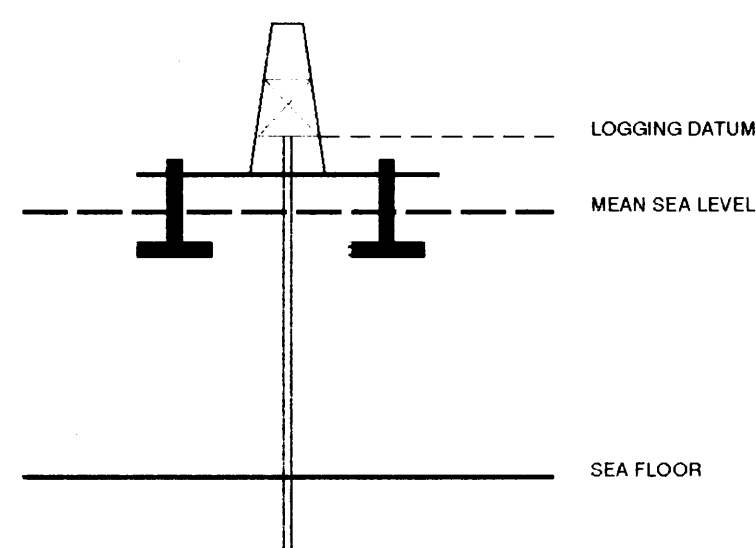


# VERTICAL SEISMIC PROFILE

## ZERO OFFSET VSP PLOT 6 WAVESHAPING AND CORRIDOR STACK

Company: BHP PETROLEUM  
 Well: ERIC THE RED-1  
 Field: WILDCAT  
 Country: AUSTRALIA  
 Reference No: 560880 Interval: 1848.00 to 373.00  
 Date Logged: 27 FEB 1992 Date Processed: 5/3/92  
 Location: 39 00' 45.44" S 143 10' 51.45" E  
 Elevations: KB: 25.30 DF: 25.00 GL: 75.00  
 Permanent Datum: MSL Depth Units: METRES  
 FIELD RECORDING: Engineer: S NAKANISHI Location: Program Version: 580-325  
 COMPUTATION: Analyst: Z KATELIS Centre: SYJ Baseline: 20.2

ELEVATION ABOVE MEAN SEA LEVEL  
 Logging Datum: 25.00  
 Seismic Reference Datum: 0.00



Total Number of Levels: 80  
 Depth Reference: SRD  
 Time Reference: SRD

Run	Date	Gun Offset	Hydro Offset	Gun Elevation	Hydro Elevation	Gun Azimuth	Hydro Azimuth
1	27-FEB-1992	47 M	47 M	7 BELOW MSL	14 M BELOW MSL	50.0	50.0

REMARKS

The well name, location and borehole reference data were furnished by the customer.

Clause 4 of our General Terms and Conditions as set out in our current Price Schedule.

FOLD HERE

CLIENT = BHP PETROLEUM  
 FIELD = WILDCAT  
 WELL = ERIC THE RED-1

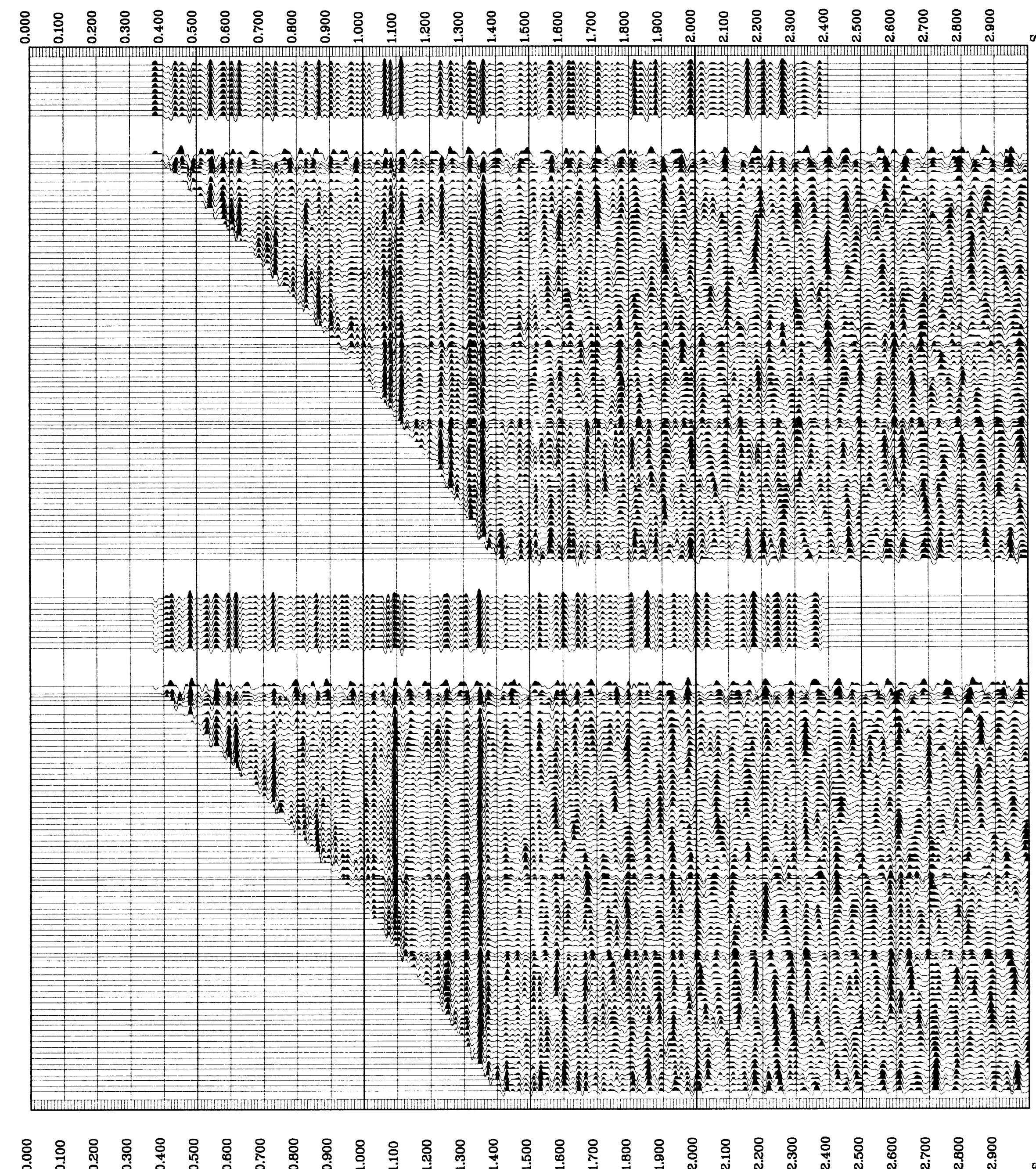
**\* CORRIDOR STACK -AGC \***  
 CORRIDOR WINDOW : 100 MS  
 POLARITY (S.E.G.) : NORMAL

**\*\* WAVESHAPING -AGC\*\***  
 PROCESSING SEQUENCE:  
 MEDIAN COHERENCY STACK APPLIED  
 STATIC CORRECTION TO MSL  
 BAND PASS FILTER : 5-100 HZ  
 NORMALISATION GATE : 100 MS  
 DOWNGOING WAVEFIELD SUBTRACTION  
 WAVESHAPING DECONVOLUTION:  
 10-60 HZ ZERO PHASE WAVELET  
 OPERATOR LENGTH : 0.7 S  
 PREWHITENING : 2 %  
 ENHANCED UPGOING WAVEFIELD  
 POLARITY (S.E.G.) : NORMAL

**\* CORRIDOR STACK-AGC \***  
 CORRIDOR WINDOW : 100 MS  
 POLARITY (S.E.G.) : REVERSE

**\*\* WAVESHAPING -AGC \*\***  
 PROCESSING SEQUENCE:  
 MEDIAN COHERENCY STACK APPLIED  
 STATIC CORRECTION TO MSL  
 BAND PASS FILTER : 5-100 HZ  
 NORMALISATION GATE : 100 MS  
 DOWNGOING WAVEFIELD SUBTRACTION  
 WAVESHAPING DECONVOLUTION:  
 10-60 HZ ZERO PHASE WAVELET  
 OPERATOR LENGTH : 0.7 S  
 PREWHITENING : 2 %  
 ENHANCED UPGOING WAVEFIELD  
 POLARITY (S.E.G.) : REVERSE

RAW DEPTH M	TRUE VERTICAL DEPTH MSL M	TRANSIT TIME S	LEVEL NO
0.0	0.0	0.000	0
0.0	0.0	0.000	0
0.0	0.0	0.000	0
0.0	0.0	0.000	0
1080.0	1055.0	0.480	38
347.0	322.0	0.184	74
385.0	360.0	0.201	72
415.0	390.0	0.215	70
447.0	422.0	0.230	69
497.0	472.0	0.250	67
540.0	515.0	0.267	66
580.0	555.0	0.283	63
620.0	596.0	0.299	61
660.0	635.0	0.316	59
700.0	675.0	0.332	57
740.0	715.0	0.348	55
780.0	755.0	0.364	53
820.0	795.0	0.379	51
860.0	835.0	0.395	49
900.0	875.0	0.411	47
940.0	915.0	0.428	45
980.0	955.0	0.440	43
1020.0	995.0	0.451	41
1060.0	1035.0	0.472	39
1100.0	1075.0	0.486	37
1140.0	1115.0	0.500	35
1180.0	1155.0	0.508	34
1220.0	1195.0	0.520	32
1240.0	1215.0	0.526	30
1260.0	1235.0	0.532	29
1280.0	1255.0	0.544	28
1300.0	1275.0	0.550	27
1320.0	1295.0	0.562	25
1340.0	1315.0	0.570	24
1400.0	1375.0	0.584	22
1440.0	1415.0	0.597	20
1480.0	1455.0	0.610	18
1520.0	1495.0	0.622	16
1560.0	1535.0	0.632	14
1600.0	1575.0	0.643	12
1640.0	1615.0	0.654	10
1680.0	1655.0	0.664	8
1720.0	1695.0	0.676	6
1760.0	1735.0	0.686	4
1800.0	1775.0	0.697	2



COMPANY BHP PETROLEUM  
 FIELD WILDCAT  
 WELL ERIC THE RED-1  
 COUNTRY AUSTRALIA

