

Schlumberger

MELBOURNE LOG INTERPRETATION CENTRE



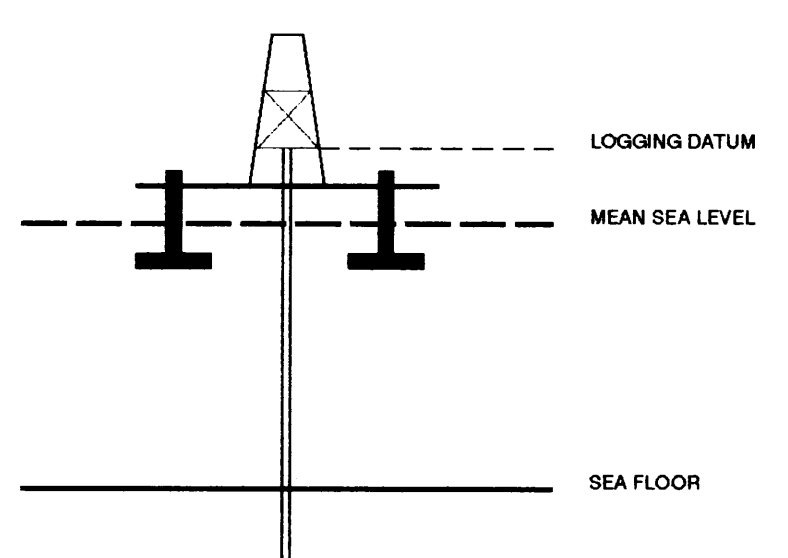
VERTICAL SEISMIC PROFILE

ZERO OFFSET VSP PLOT 1
STACKED DATA

Company: BHP PETROLEUM
Well: ERIC THE RED-1
Field: WILDCAT
Country: AUSTRALIA
Reference No: 560880 Interval: 1848.00 to 373.00
Date Logged: 27 FEB 1992 Date Processed: 5/3/92
Location: 39 00' 45.44" S 143 10' 51.45" E
Elevations: KB: 25.30 DF: 25.00 GL: -75.00
Permanent Datum: MSL Depth Units: METRES

FIELD RECORDING: Engineer: S NAKANISHI Location: Program Version: 580-325
COMPUTATION: Analyst: Z KATELIS Centre: SYJ Baseline: 20.2

ELEVATION ABOVE MEAN SEA LEVEL
Logging Datum: 25.00
Seismic Reference Datum: 0.00



Total Number of Levels: 80
Depth Reference: SRD
Time Reference: SRD

| Run | Date | Tool Type | Bit Size/Depth | Casing Size/Depth | Top Depth | Bottom Depth | |
|---------|-------------|------------|----------------|-------------------|-----------------|--------------|---------------|
| VSP Run | Date | Gun Offset | Hydro Offset | Gun Elevation | Hydro Elevation | Gun Azimuth | Hydro Azimuth |
| 1 | 27-FEB-1992 | 47 M | 47 M | 7 BELOW MSL | 14 M BELOW MSL | 50.0 | 50.0 |

RE MARKS
FOLD HERE

The well name, location and borehole reference data were furnished by the customer.

Clause 4 of our General Terms and Conditions as set out in our current Price Schedule.

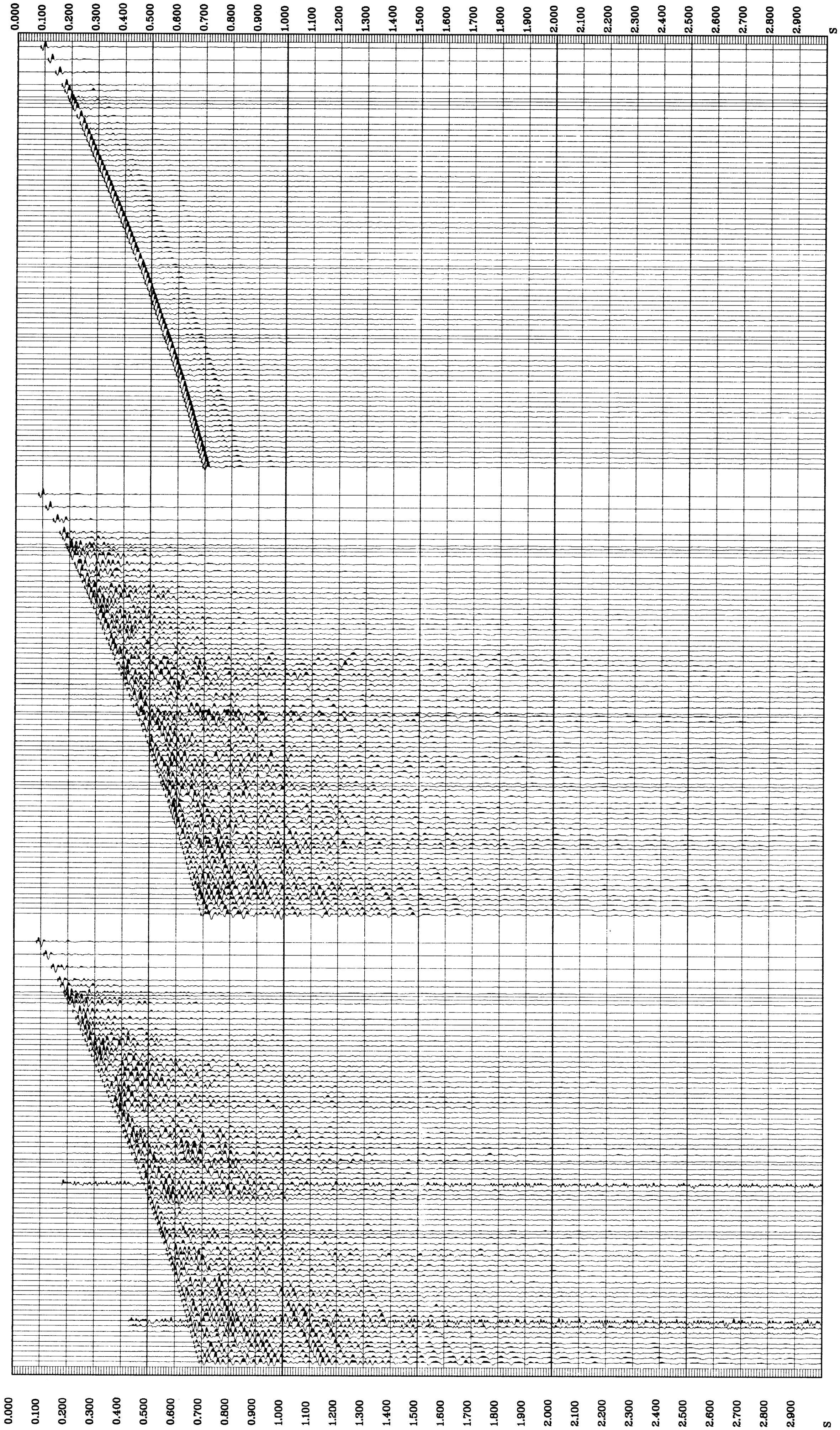
CLIENT = BHP PETROLEUM
FIELD = WILDCAT
WELL = ERIC THE RED-1

**** MEDIAN STACK ****
M#EDIAN COHERENCY STACK OF THE #DOWNHOLE VERTICAL COMPONENT.
PROCESSING SEQUENCE:
MEDIAN COHERENCY STACK APPLIED
VERTICAL SCALE : 10 CM/SEC
POLARITY (S.E.G.) : REVERSE
T#IMES REFERENCED TO HYDROPHONE

**** MEDIAN STACK ****
M#EDIAN COHERENCY STACK OF THE #DOWNHOLE 2. HORIZONTAL COMPONENT
PROCESSING SEQUENCE:
MEDIAN COHERENCY STACK APPLIED
VERTICAL SCALE : 10 CM/SEC
POLARITY (S.E.G.) : REVERSE
T#IMES REFERENCED TO HYDROPHONE

**** MEDIAN STACK ****
M#EDIAN COHERENCY STACK OF THE #DOWNHOLE 1. HORIZONTAL COMPONENT
PROCESSING SEQUENCE:
MEDIAN COHERENCY STACK APPLIED
VERTICAL SCALE : 10 CM/SEC
POLARITY (S.E.G.) : REVERSE
T#IMES REFERENCED TO HYDROPHONE

| RAW DEPTH M | TRANSIT TIME S | LEVEL NO | MIN AMPLITUDE | MAX AMPLITUDE |
|----------------|-------------------|----------|---------------|---------------|
| 175.0 | 0.086 | 78 | -25064.420 | 34563.945 |
| 225.0 | 0.113 | 77 | -19847.227 | 29141.886 |
| 275.0 | 0.140 | 76 | -12800.487 | 19553.807 |
| 325.0 | 0.165 | 75 | -8635.285 | 14397.806 |
| 375.0 | 0.178 | 74 | -5954.495 | 10474.814 |
| 425.0 | 0.192 | 72 | -3772.803 | 7289.457 |
| 475.0 | 0.205 | 70 | -2466.990 | 5067.854 |
| 525.0 | 0.220 | 69 | -1676.213 | 3572.848 |
| 575.0 | 0.232 | 68 | -1090.215 | 2466.781 |
| 625.0 | 0.245 | 67 | -724.891 | 1676.213 |
| 675.0 | 0.257 | 66 | -484.499 | 1143.214 |
| 725.0 | 0.269 | 65 | -318.252 | 789.457 |
| 775.0 | 0.281 | 64 | -208.252 | 535.700 |
| 825.0 | 0.294 | 63 | -138.252 | 369.943 |
| 875.0 | 0.306 | 62 | -92.252 | 259.943 |
| 925.0 | 0.319 | 61 | -60.252 | 180.943 |
| 975.0 | 0.331 | 60 | -40.252 | 126.943 |
| 1025.0 | 0.344 | 59 | -27.252 | 88.943 |
| 1075.0 | 0.356 | 58 | -18.252 | 62.943 |
| 1125.0 | 0.369 | 57 | -12.252 | 45.943 |
| 1175.0 | 0.381 | 56 | -8.252 | 33.943 |
| 1225.0 | 0.394 | 55 | -5.252 | 24.943 |
| 1275.0 | 0.406 | 54 | -3.252 | 18.943 |
| 1325.0 | 0.419 | 53 | -2.252 | 14.943 |
| 1375.0 | 0.431 | 52 | -1.252 | 11.943 |
| 1425.0 | 0.444 | 51 | -0.252 | 9.943 |
| 1475.0 | 0.456 | 50 | 0.252 | 8.943 |
| 1525.0 | 0.469 | 49 | 0.752 | 8.943 |
| 1575.0 | 0.481 | 48 | 1.252 | 8.943 |
| 1625.0 | 0.494 | 47 | 1.752 | 8.943 |
| 1675.0 | 0.506 | 46 | 2.252 | 8.943 |
| 1725.0 | 0.519 | 45 | 2.752 | 8.943 |
| 1775.0 | 0.531 | 44 | 3.252 | 8.943 |
| 1825.0 | 0.544 | 43 | 3.752 | 8.943 |
| 1875.0 | 0.556 | 42 | 4.252 | 8.943 |
| 1925.0 | 0.569 | 41 | 4.752 | 8.943 |
| 1975.0 | 0.581 | 40 | 5.252 | 8.943 |
| 2025.0 | 0.594 | 39 | 5.752 | 8.943 |
| 2075.0 | 0.606 | 38 | 6.252 | 8.943 |
| 2125.0 | 0.619 | 37 | 6.752 | 8.943 |
| 2175.0 | 0.631 | 36 | 7.252 | 8.943 |
| 2225.0 | 0.644 | 35 | 7.752 | 8.943 |
| 2275.0 | 0.656 | 34 | 8.252 | 8.943 |
| 2325.0 | 0.669 | 33 | 8.752 | 8.943 |
| 2375.0 | 0.681 | 32 | 9.252 | 8.943 |
| 2425.0 | 0.694 | 31 | 9.752 | 8.943 |
| 2475.0 | 0.706 | 30 | 10.252 | 8.943 |
| 2525.0 | 0.719 | 29 | 10.752 | 8.943 |
| 2575.0 | 0.731 | 28 | 11.252 | 8.943 |
| 2625.0 | 0.744 | 27 | 11.752 | 8.943 |
| 2675.0 | 0.756 | 26 | 12.252 | 8.943 |
| 2725.0 | 0.769 | 25 | 12.752 | 8.943 |
| 2775.0 | 0.781 | 24 | 13.252 | 8.943 |
| 2825.0 | 0.794 | 23 | 13.752 | 8.943 |
| 2875.0 | 0.806 | 22 | 14.252 | 8.943 |
| 2925.0 | 0.819 | 21 | 14.752 | 8.943 |
| 2975.0 | 0.831 | 20 | 15.252 | 8.943 |
| 3025.0 | 0.844 | 19 | 15.752 | 8.943 |
| 3075.0 | 0.856 | 18 | 16.252 | 8.943 |
| 3125.0 | 0.869 | 17 | 16.752 | 8.943 |
| 3175.0 | 0.881 | 16 | 17.252 | 8.943 |
| 3225.0 | 0.894 | 15 | 17.752 | 8.943 |
| 3275.0 | 0.906 | 14 | 18.252 | 8.943 |
| 3325.0 | 0.919 | 13 | 18.752 | 8.943 |
| 3375.0 | 0.931 | 12 | 19.252 | 8.943 |
| 3425.0 | 0.944 | 11 | 19.752 | 8.943 |
| 3475.0 | 0.956 | 10 | 20.252 | 8.943 |
| 3525.0 | 0.969 | 9 | 20.752 | 8.943 |
| 3575.0 | 0.981 | 8 | 21.252 | 8.943 |
| 3625.0 | 0.994 | 7 | 21.752 | 8.943 |
| 3675.0 | 1.006 | 6 | 22.252 | 8.943 |
| 3725.0 | 1.019 | 5 | 22.752 | 8.943 |
| 3775.0 | 1.031 | 4 | 23.252 | 8.943 |
| 3825.0 | 1.044 | 3 | 23.752 | 8.943 |
| 3875.0 | 1.056 | 2 | 24.252 | 8.943 |
| 3925.0 | 1.069 | 1 | 24.752 | 8.943 |



COMPANY BHP PETROLEUM
FIELD WILDCAT
WELL ERIC THE RED-1
COUNTRY AUSTRALIA

