

SEISMIC CALIBRATION LOG

DEPT. INT. RES. & ENV.
PE601029

(Adjusted Continuous Velocity Log)

Company: CRUSADER RESOURCES N.L.

Well: WONGA BINDA #1 WCR 12 52 40

Field: WILDCAT

Country: AUSTRALIA

Reference No: 569160 Interval: 17300 to 131900

Date Logged: 18 APR 88 Date Processed: 04/05/88

Location: 038 27' 02.36" S 147 02' 26.13" E

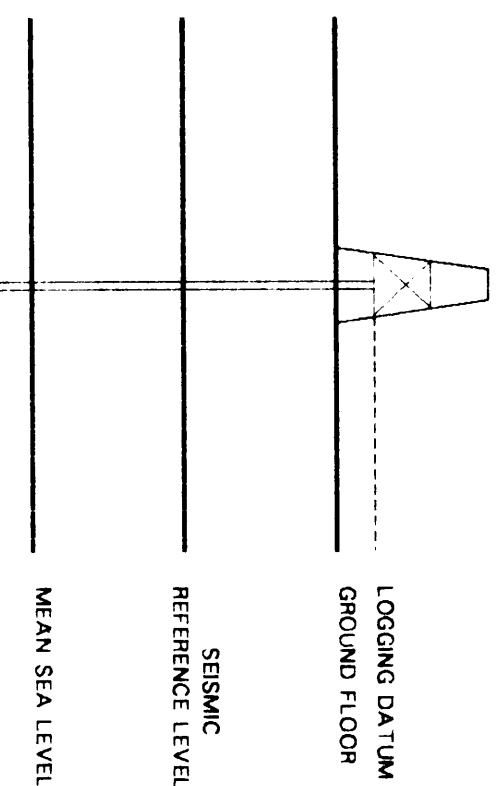
Elevations: KB 29.50 DF 29.00 GL 25.70

Permanent Datum: MSL Depth Units: METRES

ELEVATION ABOVE MEAN SEA LEVEL

Logging Datum: 29.50

Seismic Reference Datum: 0.00



Total Number of Levels: SRD

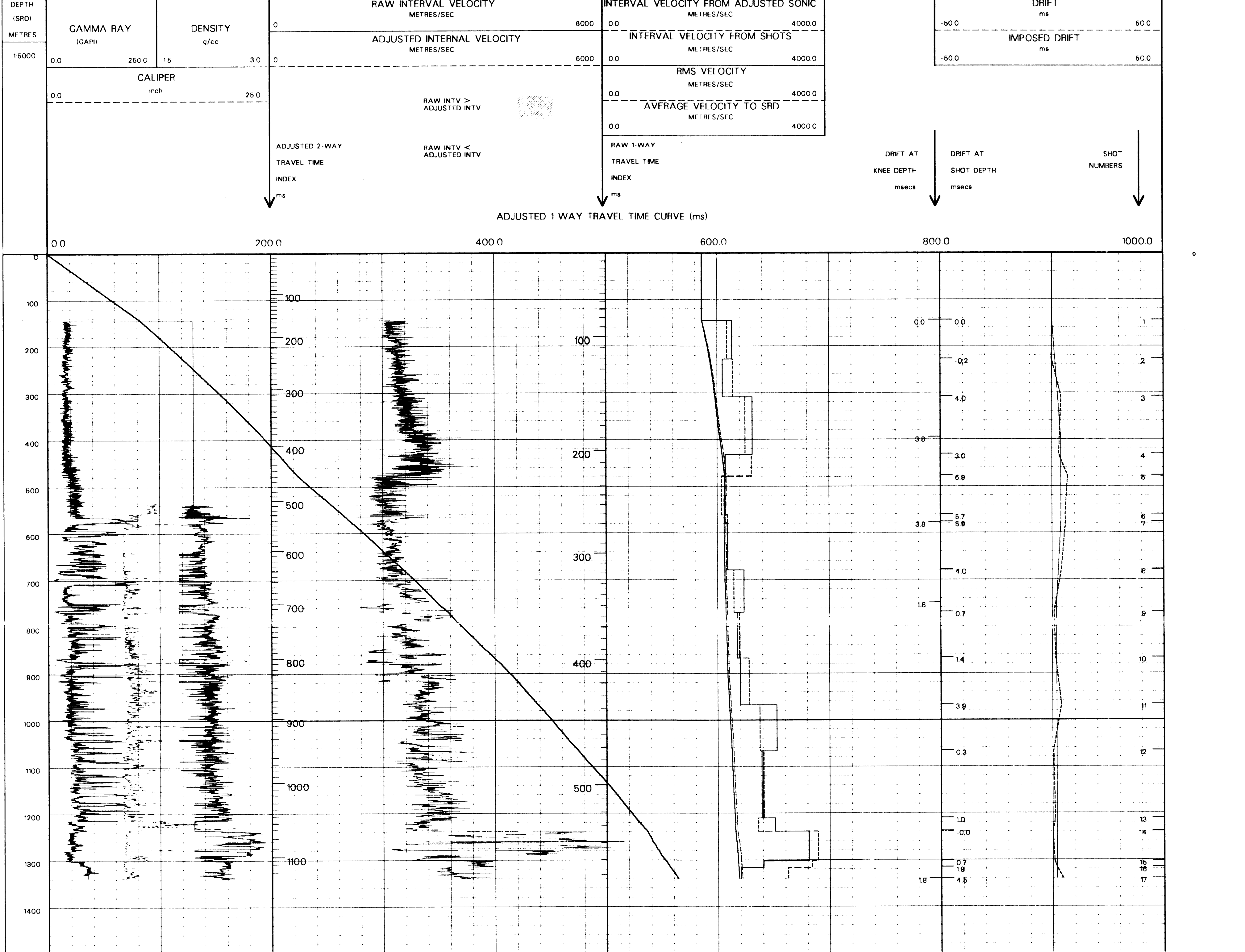
Depth Reference: SRD

Time Reference: SRD

Run	Date	Tool Type	Bit Size / Depth	Casing Size / Depth	Top Depth	Bottom Depth
1	18 APR 88	BHC	8 1/2" @ 394 M	8 5/8" @ 173 M	173 M	370 M

The well name, location and borehole reference data were furnished by the customer.

All interpretations are opinions based on inferences from electrical or other measurements and we cannot, and do not guarantee the accuracy or correctness of any interpretations, and we shall not, except in the case of gross or willful negligence on our part, be liable or responsible for any loss, costs, damages or expenses incurred or sustained by anyone resulting from any interpretations made by any of our officers, agents or employees. These interpretations are also subject to Clause 4 of our General Terms and Conditions as set out in our current Price Schedule.



COMPANY CRUSADER RESOURCES N.L.
FIELD WILDCAT
WELL WONGA BINDA #1
COUNTRY AUSTRALIA

