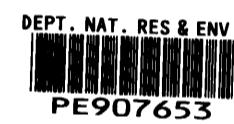


BARAGWANATH ANTICLINE

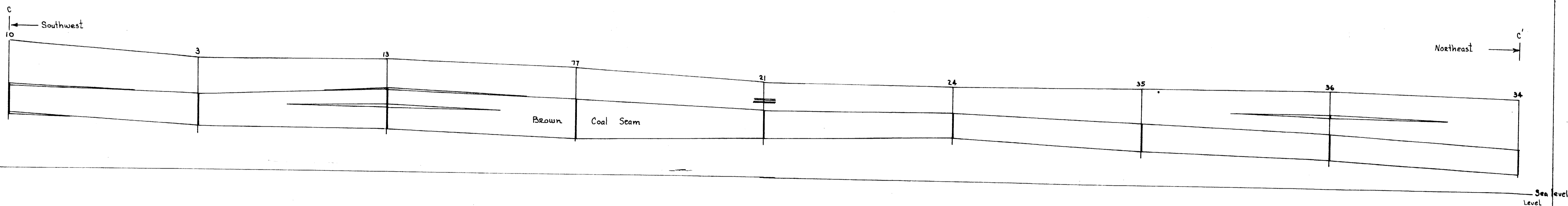
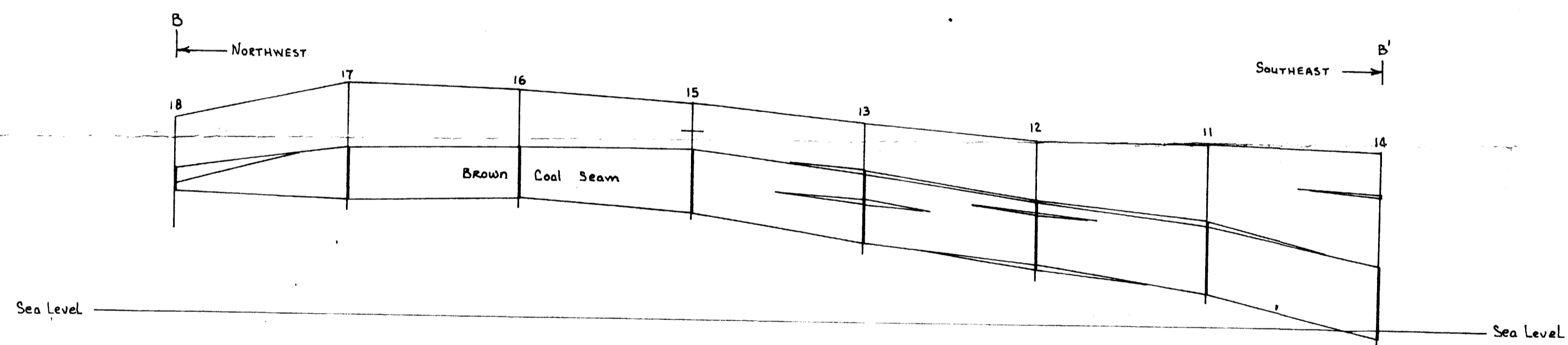
CROSS-SECTION A-A'



Scale:  
 HORIZ: 1" = 2640'  
 VERT: 1" = 400'

Interpretation By *Victor Bygones*

DATE 19/11/63



Interpretation By: State Electricity Commission of Victoria Geologist

Scale:  
 HORIZ: 1" = 800'  
 VERT: 1" = 200'